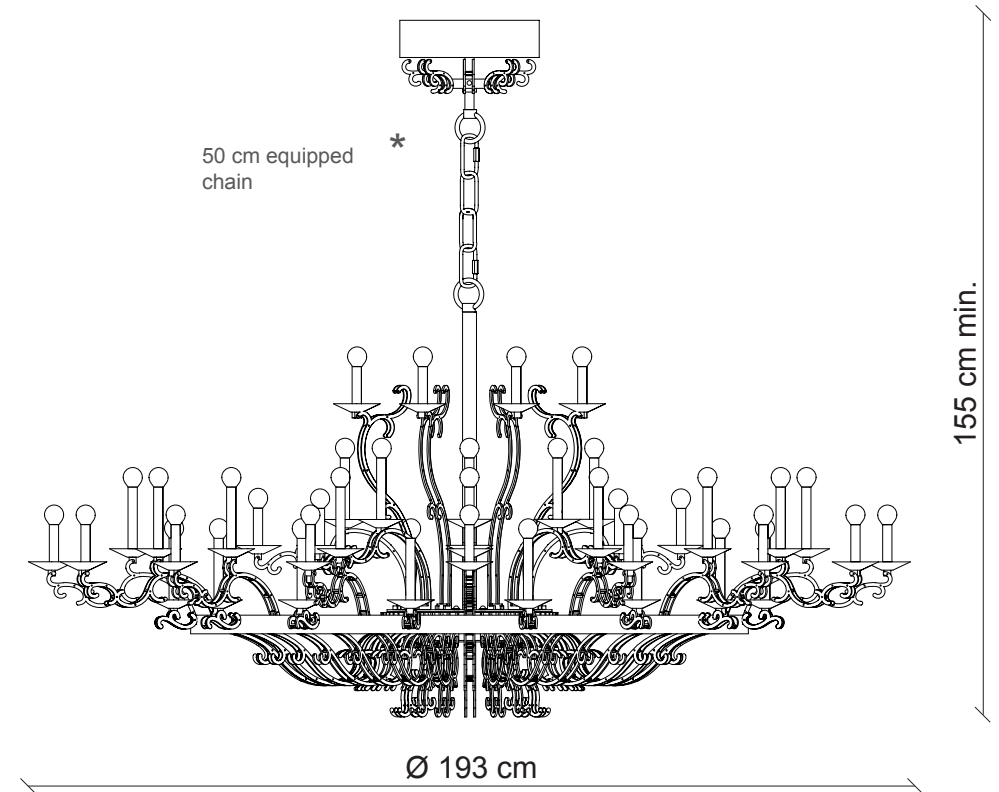




PATRIZIAGARGANTI
Firenze

art. MORGANA EX15

72 lights chandelier



Finish



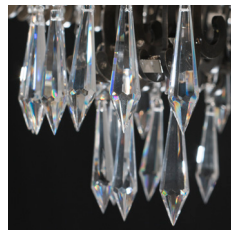
burnished brass /
polished nickel details




gunmetal /
copper details

MORGANA EX15_M

Lampshades



clear crystals

 72x
28W E14
not supplied

Kg 65
m³ 4,7